



## GS-ANT-33-460

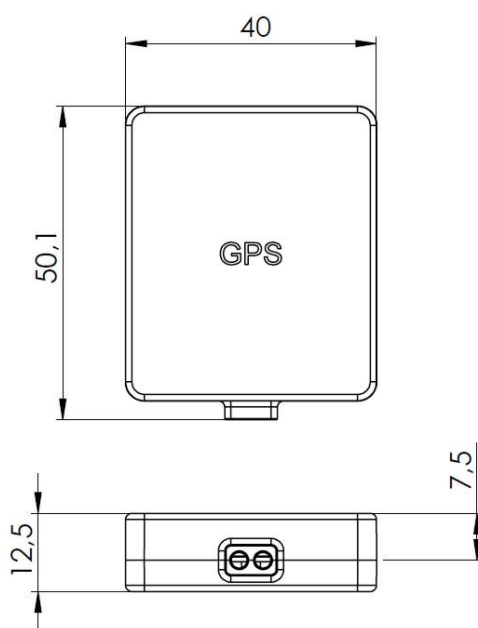


Technical Data		
Multiband body mount antenna		
<b>GSM 850/900/1800/1900 MHz / UMTS 2100 MHz + 1575.42 MHz GPS / Galileo L1</b>		
<b>Cellular</b>	Frequency Range	2G / GSM: 850 / 900 / 1710 -1880 MHz 3G / UMTS: 2100 MHz
	VSWR	< 2 : 1
	Gain	0 dBi
	Impedance	50 Ω
	Polarization	Vertical
<b>GNSS</b>	Frequency Range	GPS: 1575.42 MHz Galileo L1: 1575.42 MHz
	VSWR	
	LNA Gain	32 dB typ. @ 5V
	Power Max.	125 mW
	Impedance	50 Ω
	Current	5 mA (1.8 V) 13 mA (3.3 V) 25 mA (5 V)
	Voltage supply	1.8 V ... 5 V
	Polarization	RHCP

# GS-ANT-33-460

Mechanical Data		
Dimensions (LxWxH)	ca. 50 mm x 40 mm x 13 mm see drawing below for details	
Cable	2x ca. 3 m, RG174	
Cable / Connector	GPS: SMBA-“C”	
	Cellular: SMBA-“D”	
	Others on request	
Temperature range	-40°C .. +85°C	
	Magnetic mount / adhesive mount	
	RoHS compliant	

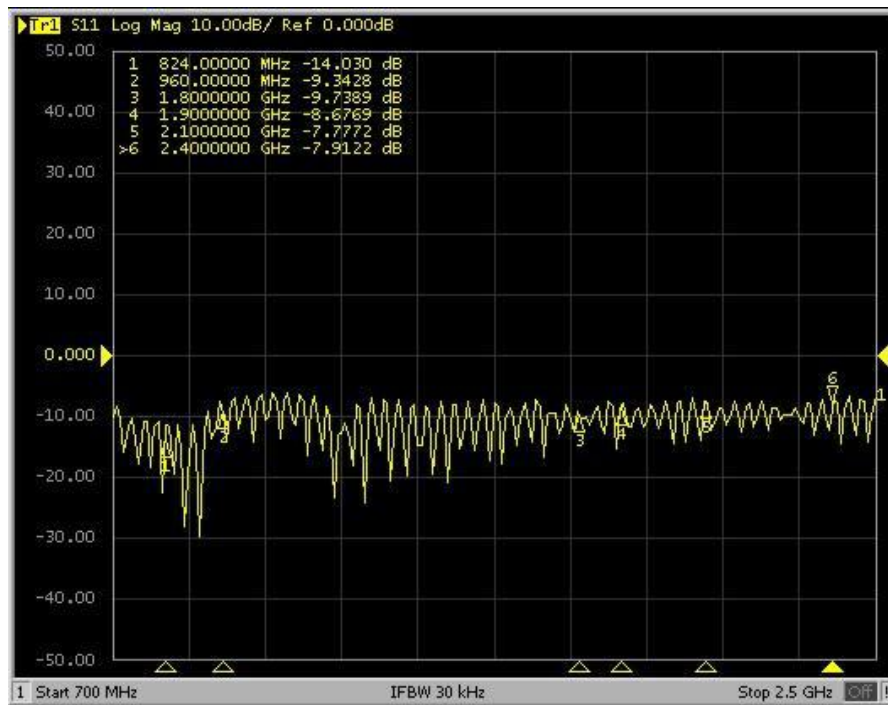
Drawing:



# GS-ANT-33-460

Electrical characteristics:

Cellular (Quad Band):



GNSS (3V):

