



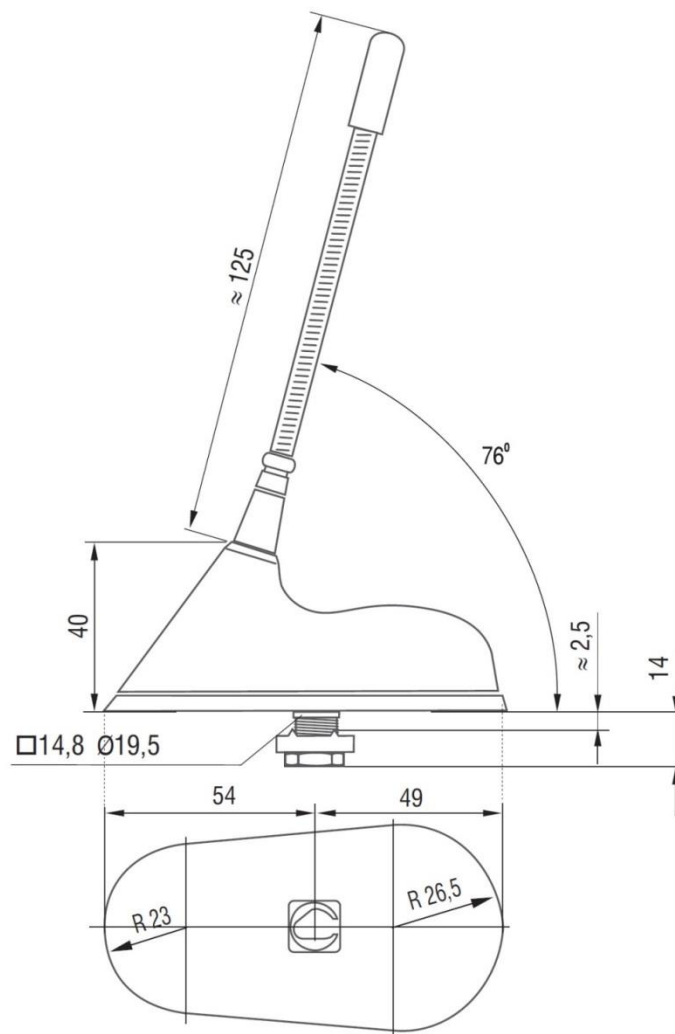
GS-ANT-19-190



Technical Data		
Roof mount, TETRA / active GPS antenna, minor mounting complexity – one hole for 2 functions		
Used for: Radio network, navigation systems, telematic and fleet management		
TETRA	Frequency Range	380 – 430 MHz
	Return Loss	≈ 12 dB \triangleq 1,7 :1 (VSWR)
	Gain	0 dB (referring to $\lambda/4$ element)
	Power Max.	20 W
	Impedance	50 Ω
GPS	Frequency	1575.42 MHz
	Return Loss	≈ 12 dB \triangleq 1,7 :1 (VSWR)
	Gain	≈ 28 dB (Amplification)
	Power Max.	20 W
	Impedance	50 Ω

GS-ANT-19-190

Mechanical Data		
	Dimensions	ca. 103 mm x 53 mm x 161 mm
	Cable	GPS: 0.15m, RG174 TETRA: 0.25m, RG174
	Connector	GPS: FME (f) 
		TETRA: FME (m) 



GS-ANT-19-190

Return Loss

