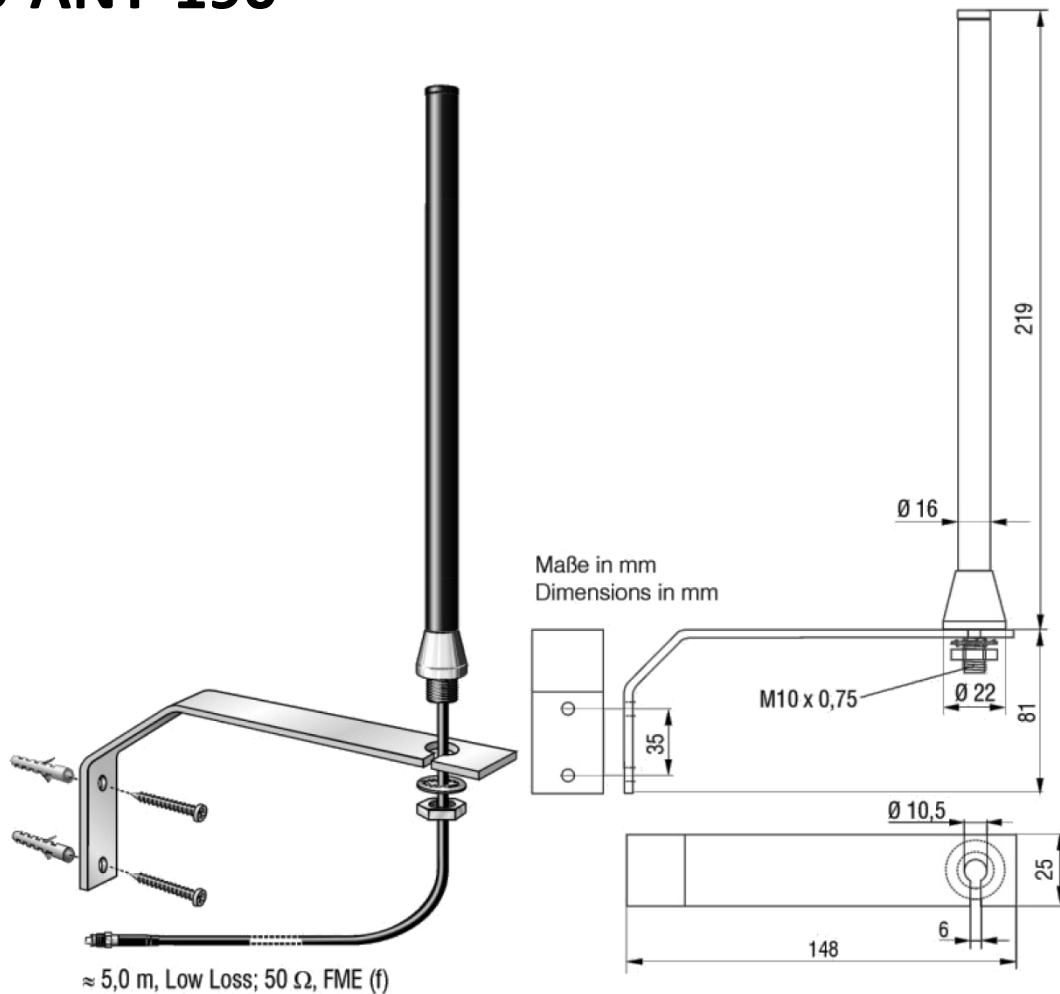




GS-ANT-190



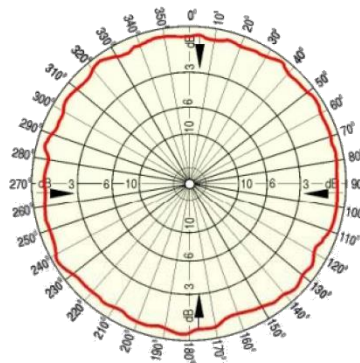
ISM 868, GSM 900/1800, PCS 1900		
Technical Data		
GSM	Frequency Range	850-960 / 1710-1880 / 1880-1990
	VSWR	≤ 2 : 1
	Gain	≈ 2 dBi
	Return loss	≈ 10 dB
	Power Max.	20 W
	Impedance	50 Ω
	Polarization	vertical
	Temperature range	-40°C .. +70°C
	UV resistance	exists
Mechanical Data		
	Dimensions (ØxL)	ca. 16 mm x 219 mm
	Weight	82g
	Temperature Range	-40°C to +70°C
	Cable	LowLoss
	Protection class	Radiator is protected with a plastic tube against dust and humidity (IP 65)

GS-ANT-190

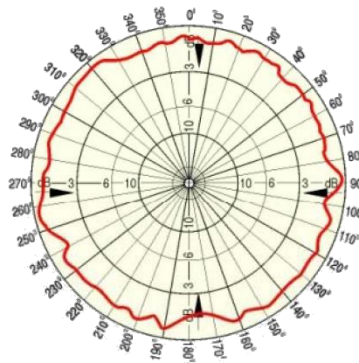
	Variants	1 m FME (f) 5 m FME (f) 10 m FME (f) 15 m FME (f) 20 m FME (f) 25 m FME (f) 30 m FME (f)	1 m SMA (m) 5 m SMA (m) 10 m SMA (m) 15 m SMA (m) 20 m SMA (m) 25 m SMA (m) 30 m SMA (m)
			

Directional Diagrams

Polarisation:
 vertikal bei 900 MHz
 Vertical polarisation
 at 900 MHz



Polarisation:
 vertikal bei 1800 MHz
 Vertical polarisation
 at 1800 MHz



Return Loss

