


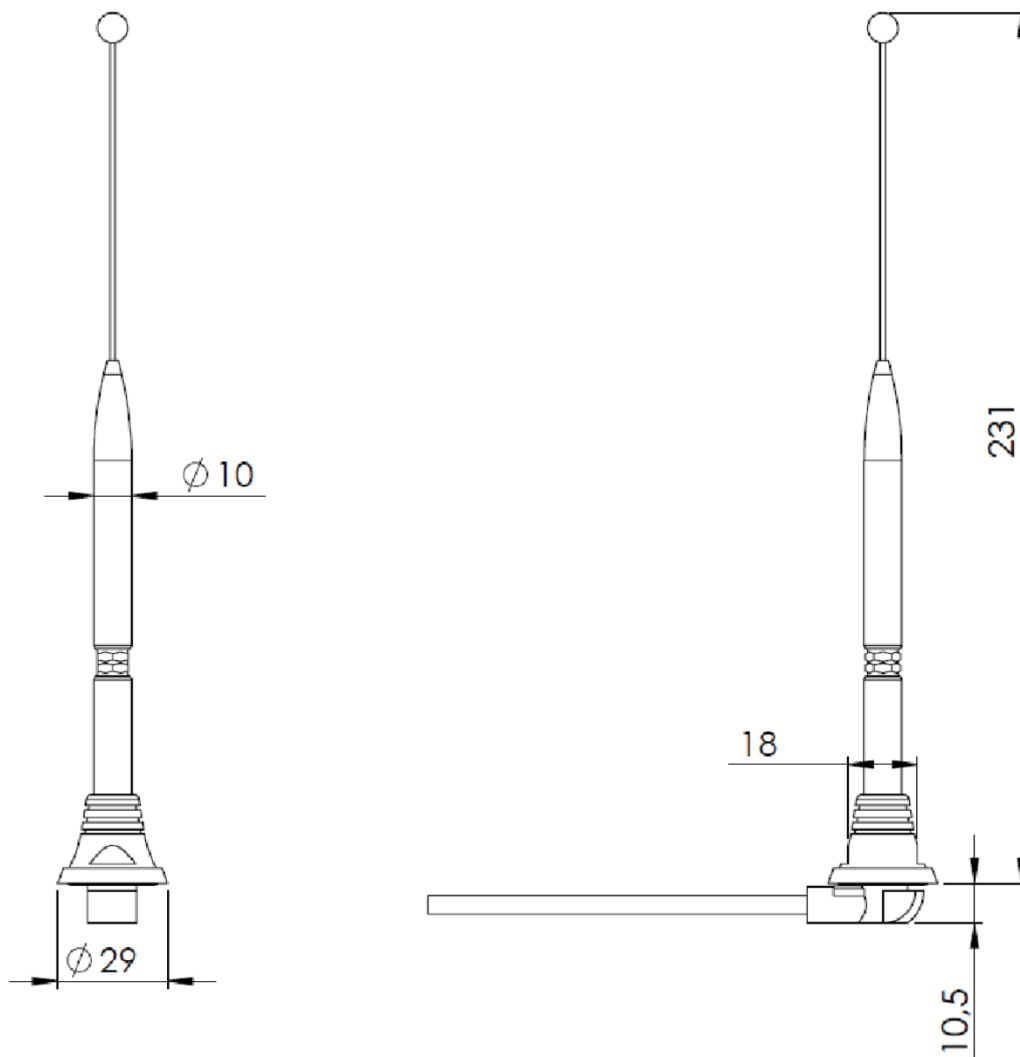
## GS-ANT-33-188



| Technical Data   |   |
|--|---|
| Body mount whip antenna  |   |
| <b>AMPS 824-894 MHz, ISM 868 MHz, GSM 900 MHz, DCS 1800 MHz, PCS 1900 MHz, 3G/UMTS 2100 MHz, Wifi/Bluetooth 2400 MHz</b> |   |
|  |   |
| Frequency Range  | AMPS: 824 .. 894 MHz<br>ISM 868 MHz<br>GSM: 900 MHz<br>DCS: 1800 MHz<br>PCS: 1900 MHz<br>3G/UMTS: 2100 MHz<br>Wifi/BT: 2400 MHz |
| VSWR*  | < 3:1   |
| Gain   | 3 .. 4 dBi max.   |
| Power Max.   | 100 W   |
| Impedance  | 50 Ω  |
| Polarization   | Vertical  |
|  |   |
|  | * Measured with 1m RG58 cable   |

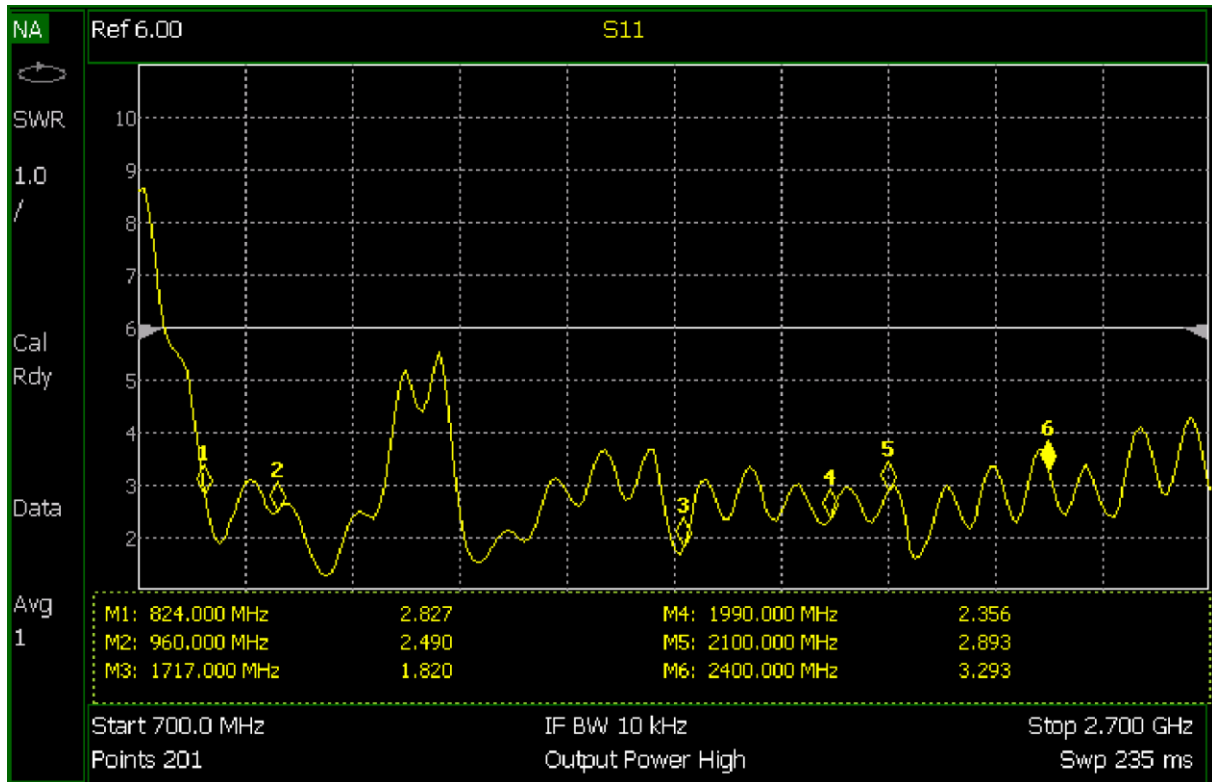
## GS-ANT-33-188

| Mechanical Data |                                       |   |
|-----------------|---------------------------------------|---|
|                 | Dimensions antenna( $\varnothing$ xH) | ca. 29 mm x 231 mm  |
|                 | Temperature range                     | -40°C to +85°C  |
|                 | Connection (standard)                 | No cable  |
|                 | Connector                             | FME (m)  |
|                 | RoHS compliant                        |   |



# GS-ANT-33-188

VSWR for Quad Band:



tested with 1m cable length