

GS-ANT-33-189



Technical Data		
Body mount whip antenna		
AMPS 824-894 MHz, ISM 868 MHz, GSM 900 MHz, DCS 1800 MHz, PCS 1900 MHz, 3G/UMTS 2100 MHz, Wifi/Bluetooth 2400 MHz		
	Frequency Range	AMPS: 824 .. 894 MHz ISM: 868 MHz GSM: 900 MHz DCS: 1800 MHz PCS: 1900 MHz 3G/UMTS: 2100 MHz Wifi/Bluetooth: 2400 MHz
	VSWR	< 2:1
	Gain	0 dBi
	Power Max.	100 W
	Impedance	50 Ω
	Polarization	Vertical
Mechanical Data		
	Dimensions antenna(ØxH)	ca. 29 mm x 76 mm
	Weight	140 g
	Temperature range	-40°C to +85°C
	Cable	No cable
	Connector	FME (m)
	Body mount	
	RoHS compliant	

GS-ANT-33-189

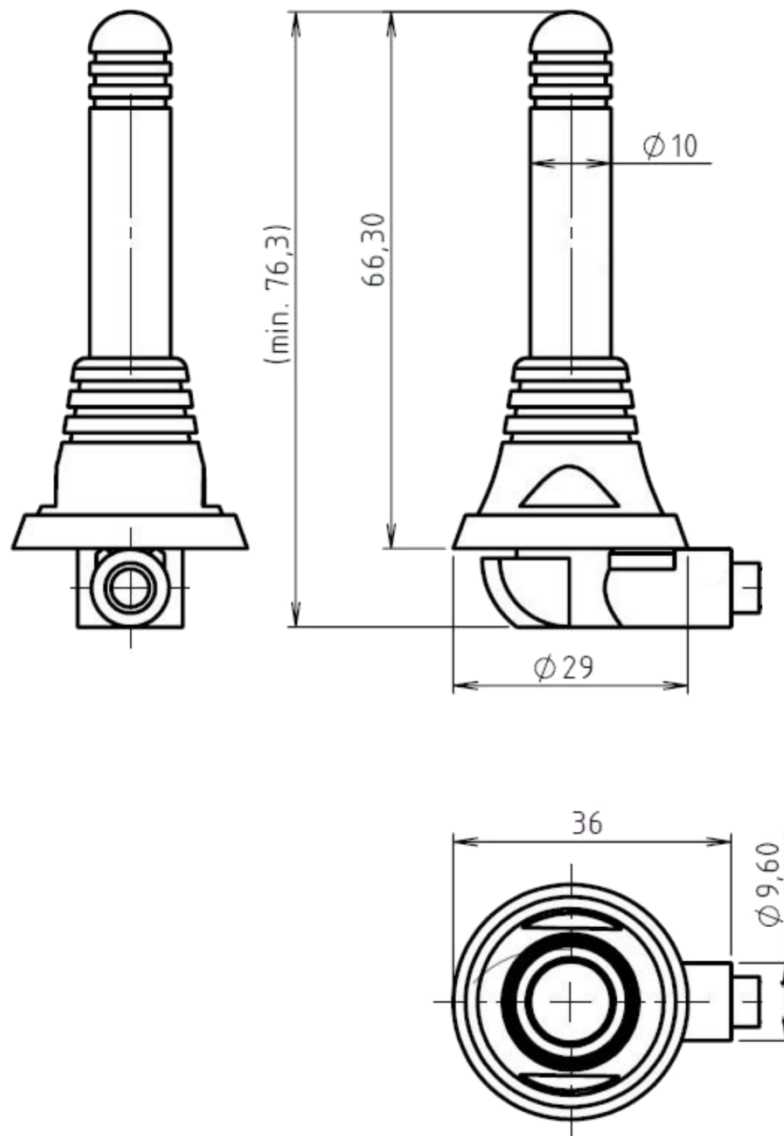


Figure 1; mechanical drawing

GS-ANT-33-189

Freq = 0.898GHz Az= 45 EL= 45

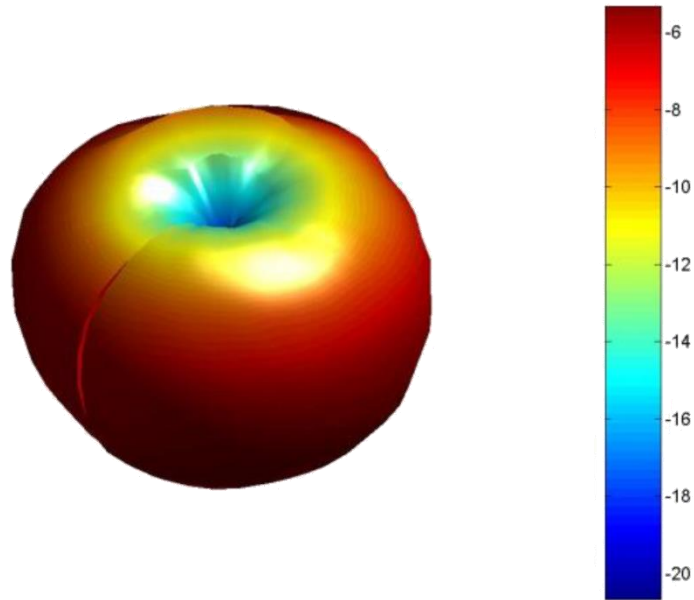


Figure 2; 3D radiation pattern for 868MHz, measured with 2.5m cable length

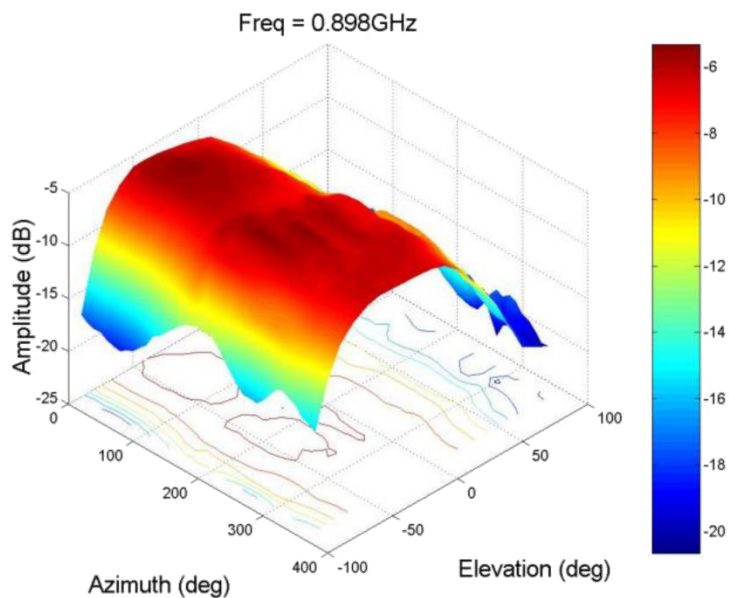


Figure 3; 3D plane radiation for 898MHz, measured with 2.5m cable length

GS-ANT-33-189

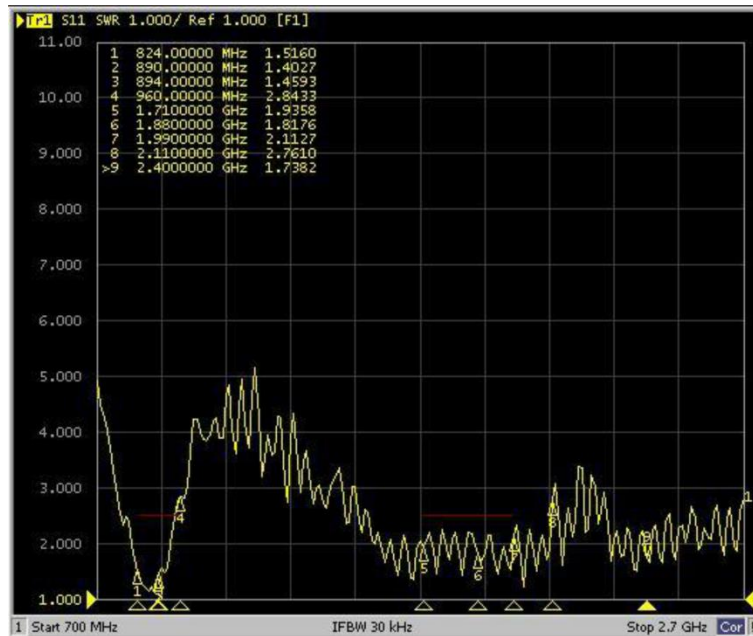


Figure 4; VSWR for Quad band, measured with 2.5m cable length

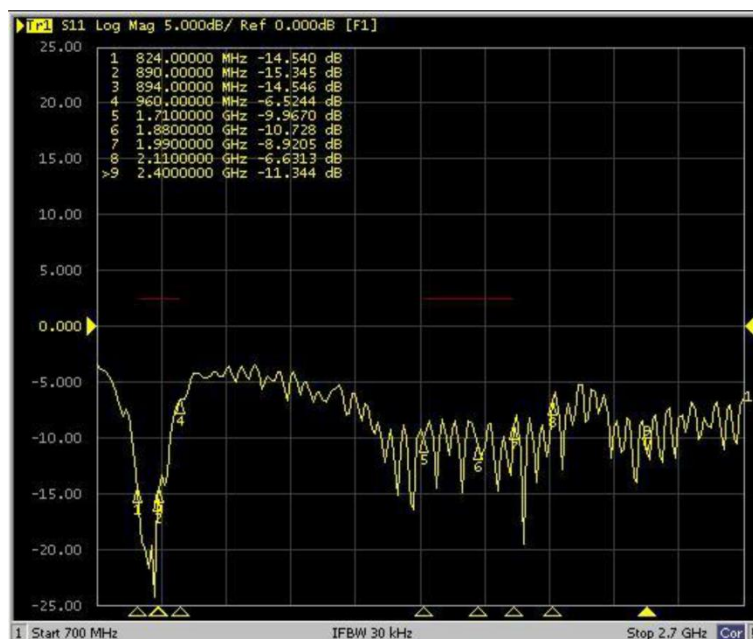


Figure 5; Log Mag for Quad band, measured with 2.5m cable length