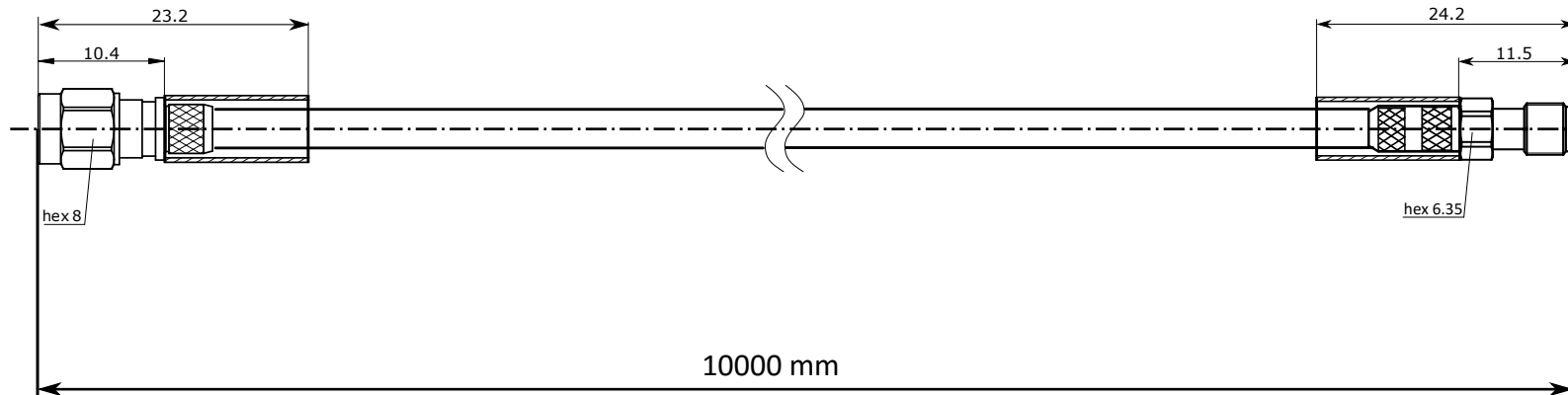
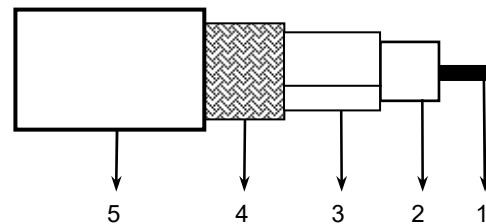


RP-SMA-male

RP-SMA-female



cable detail H155



**1. Inner conductor**

Material: stranded bare copper 19x0.28mm  
 Diameter: 1.41mm ± 0.03mm

**2. Dielectric**

Material: Gas injected PE  
 Diameter: 3.9mm ± 0.15mm  
 Centricity: >85%

**3. Foil**

Material: AL-PET-AL  
 Diameter: >2mm

**4. Braid**

Material: tinned copper  
 Diameter: 4.5mm ± 0.25mm  
 Coverage braid: 80% ± 5%

**5. Sheath**

Material: PVC  
 Diameter: 5.4mm ± 0.2mm



Toleranzen nach ISO 2768-1

Erstellt Herr K.Heinze	Freigabe Frau S. Grote	Sachnummer H155-10M-R-SMA-ST-Bu		
Titel RP-SMA-St / RP-SMA-Bu H155-Kabel L = 10 m		Dokumentenart DIN A 4		
Maßstab	Änd.	Ausgabedatum 26.10.2019	Spr. DE	Blatt 1/1